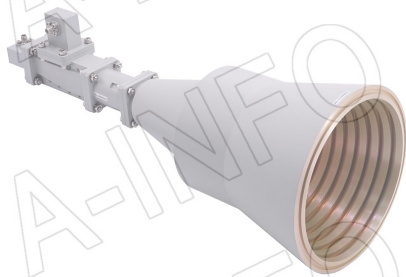


For reference only. See data sheet for the detailed specifications.

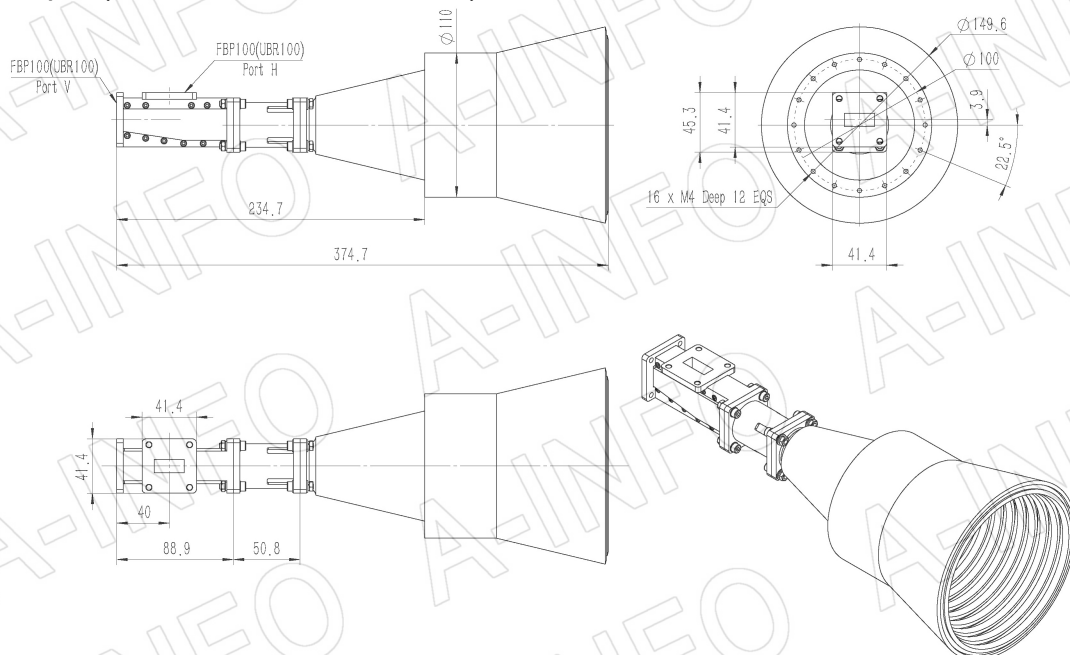
## Technical Specification



|                            |   |
|----------------------------|---|
| Frequency Range(GHz)       | 8.9 – 11.7  |
| Waveguide                  | WR90  |
| Gain(dBi)                  | 20 Typ.   |
| Polarization               | Dual Linear   |
| 3dB Beamwidth(deg)         | E Plane: 17 Typ.  |
|                            | H Plane: 17 Typ.  |
| Cross Pol. Isolation(dB)   | 45 Typ.   |
| Port to Port Isolation(dB) | 55 Typ. ; 45 Min.   |
| VSWR                       | A Type: 1.50:1 Typ.                                       |
|                            | C Type: 1.60:1 Typ.                                       |
| Output                     | A Type: FBP100(UBR100)<br>SMA-Female<br>or N-Female       |
|                            | C Type: or TNC-Female<br>or 7mm<br>or 3.5mm-Female        |
| Material                   | Al  |
| Finish                     | Silver Plated and Chemical Conversion Coating, Gray Paint |
| Size(mm)                   | A Type: 149.6 x 149.6 x 374.7                             |
|                            | C Type: 149.6 x 149.6 x 412.7                             |
| Net Weight(Kg)             | A Type: 1.64 Around                                       |
|                            | C Type: 1.78 Around                                       |

## Outline Drawing (Size: mm)

FBP100 Output (P/N: LB-CH-90-20-T16-A)



**AINFO Inc.**

China(Beijing): Tel: (+86) 10-6266-7326,  
China(Chengdu): Tel: (+86) 28-8519-2786,  
USA : Tel: (+1) 949-639-9688,

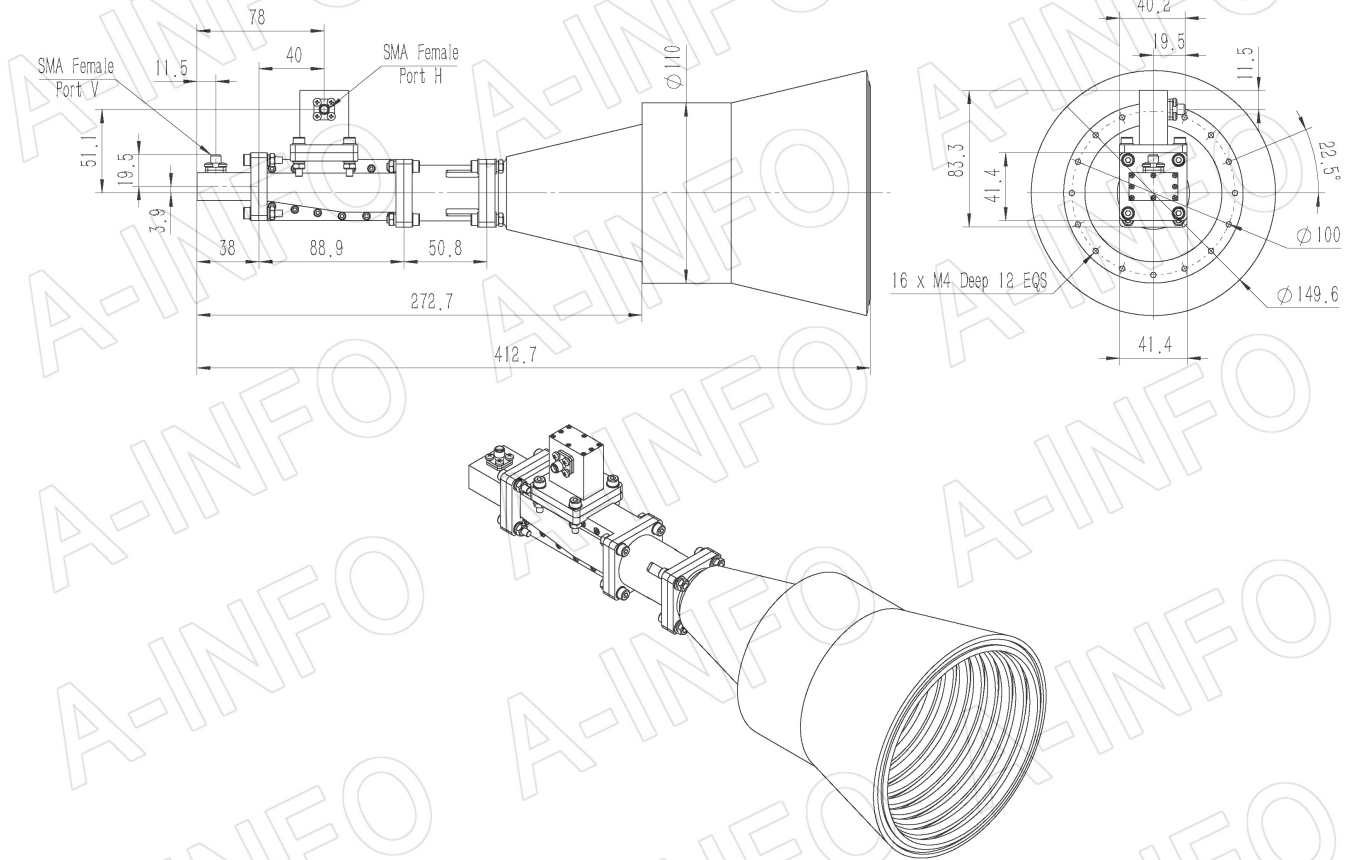
Page 1 of 9

(+86) 10-6266-7327 Fax: (+86) 10-6266-7379  
(+86) 28-8519-3044 Fax: (+86) 28-8519-3068  
(+1) 949-639-9608 Fax: (+1) 949-639-9670

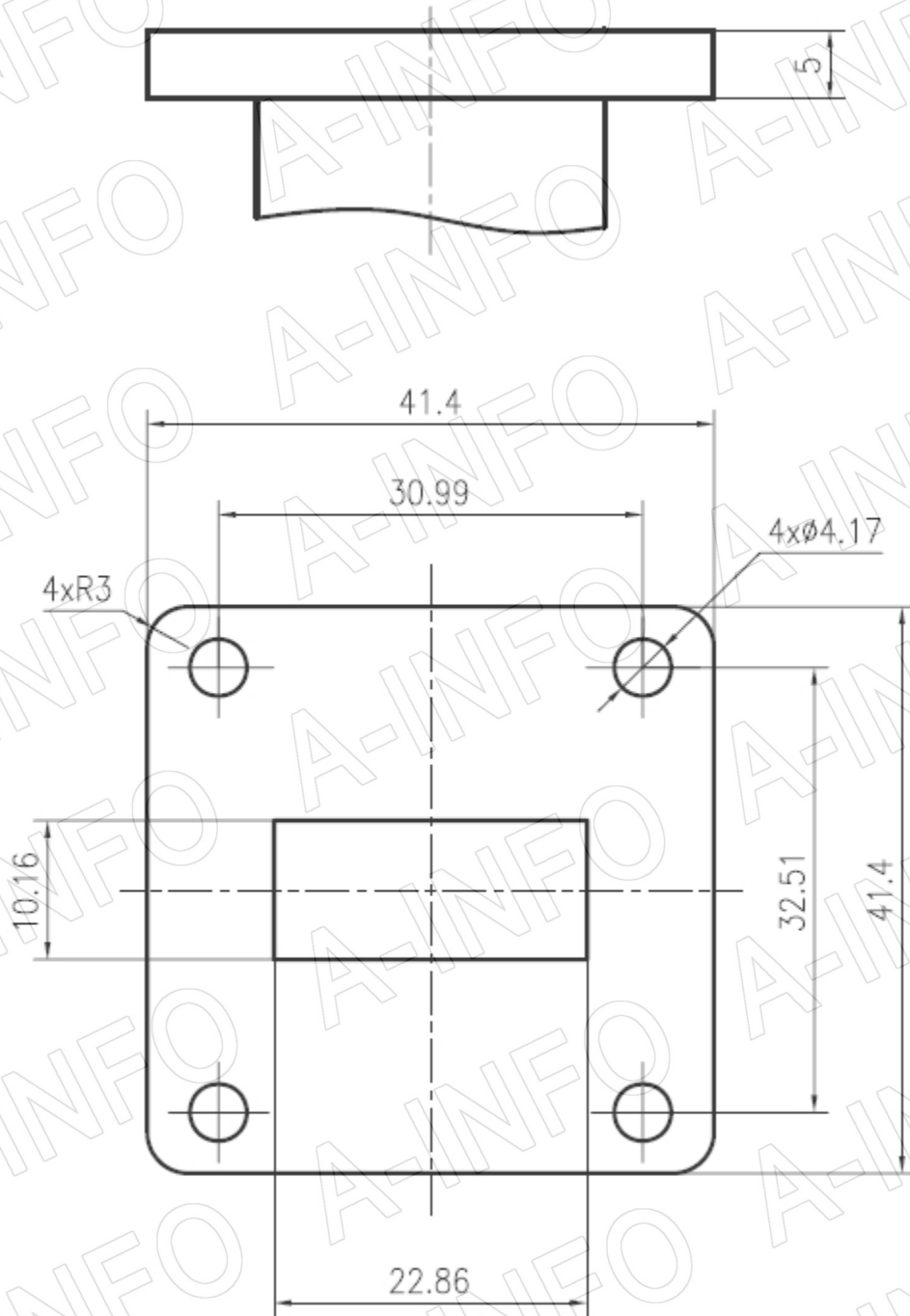
Website: [www.ainfoinc.com](http://www.ainfoinc.com)  
Email: [sales@ainfoinc.com](mailto:sales@ainfoinc.com)

## SMA-Female Output (P/N: LB-CH-90-20-T16-C-SF)

For N-Female, TNC-Female, 7mm or 3.5mm-Female output outline drawing, please contact A-INFO.



## Flange Drawing (Size: mm)



**FBP100**

### AINFO Inc.

China(Beijing): Tel: (+86) 10-6266-7326,  
China(Chengdu): Tel: (+86) 28-8519-2786,  
USA: Tel: (+1) 949-639-9688,

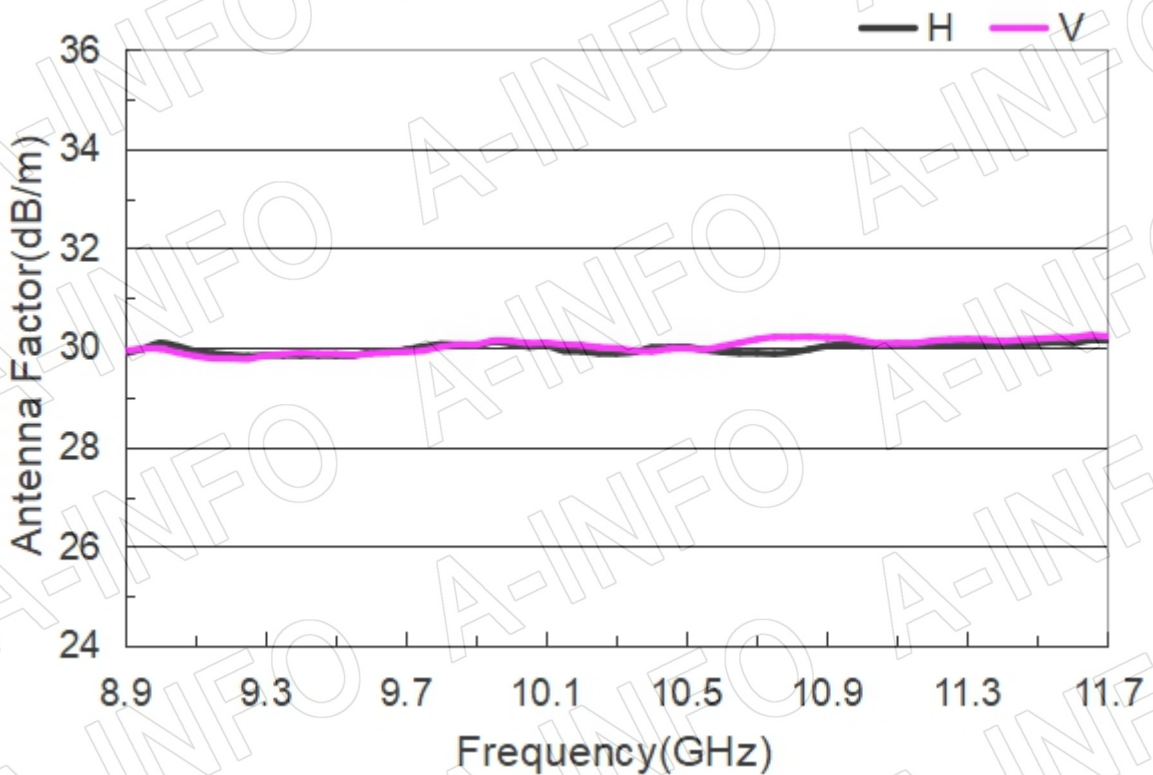
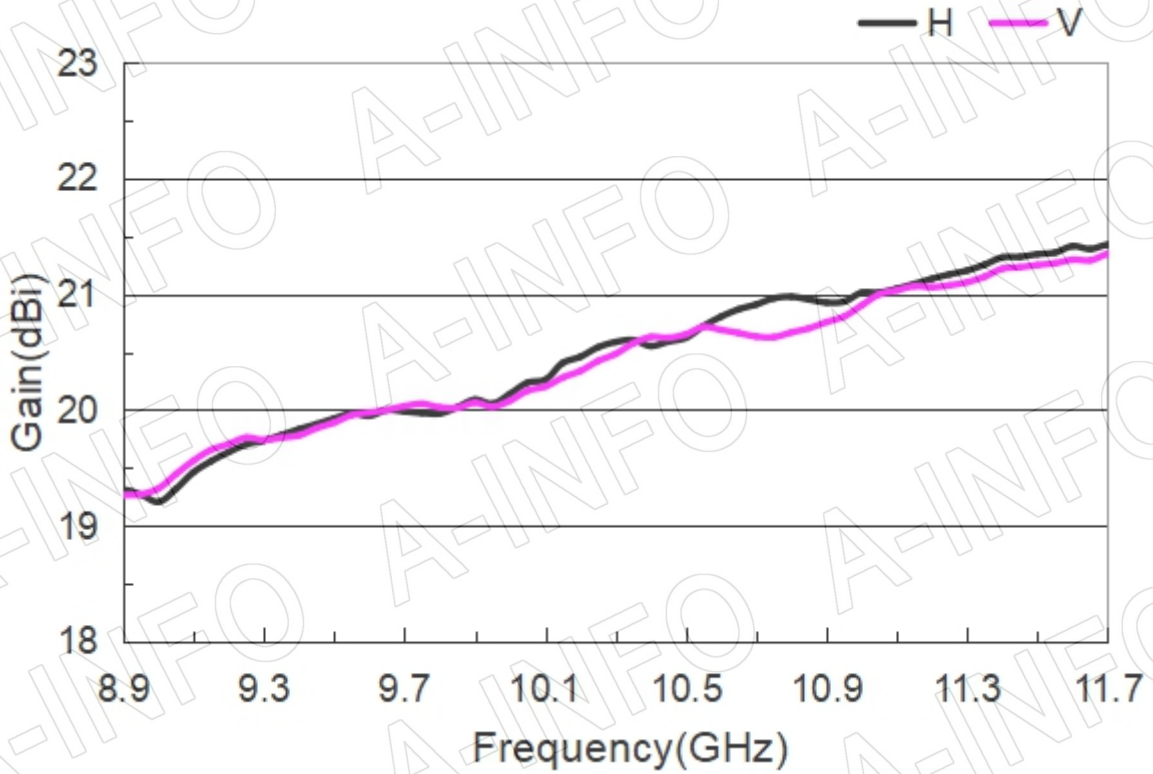
Page 3 of 9

(+86) 10-6266-7327 Fax: (+86) 10-6266-7379  
(+86) 28-8519-3044 Fax: (+86) 28-8519-3068  
(+1) 949-639-9608 Fax: (+1) 949-639-9670

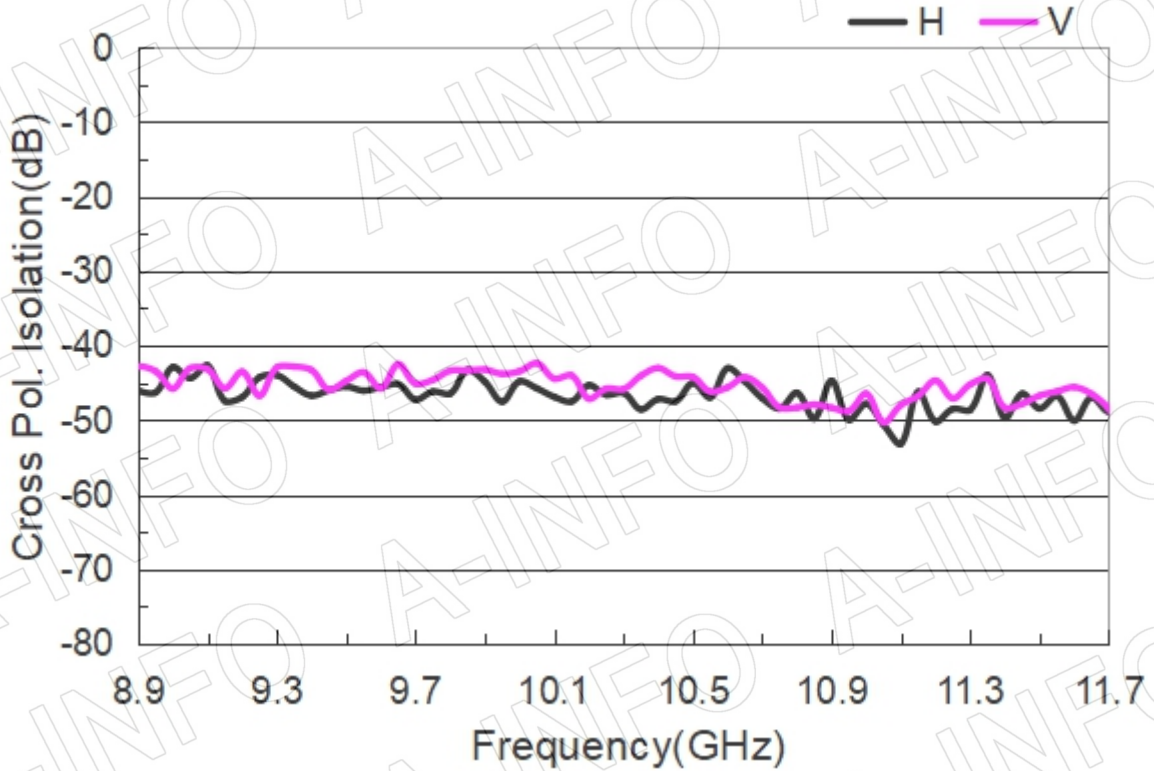
Website: [www.ainfoinc.com](http://www.ainfoinc.com)  
Email: [sales@ainfoinc.com](mailto:sales@ainfoinc.com)

## Test Results

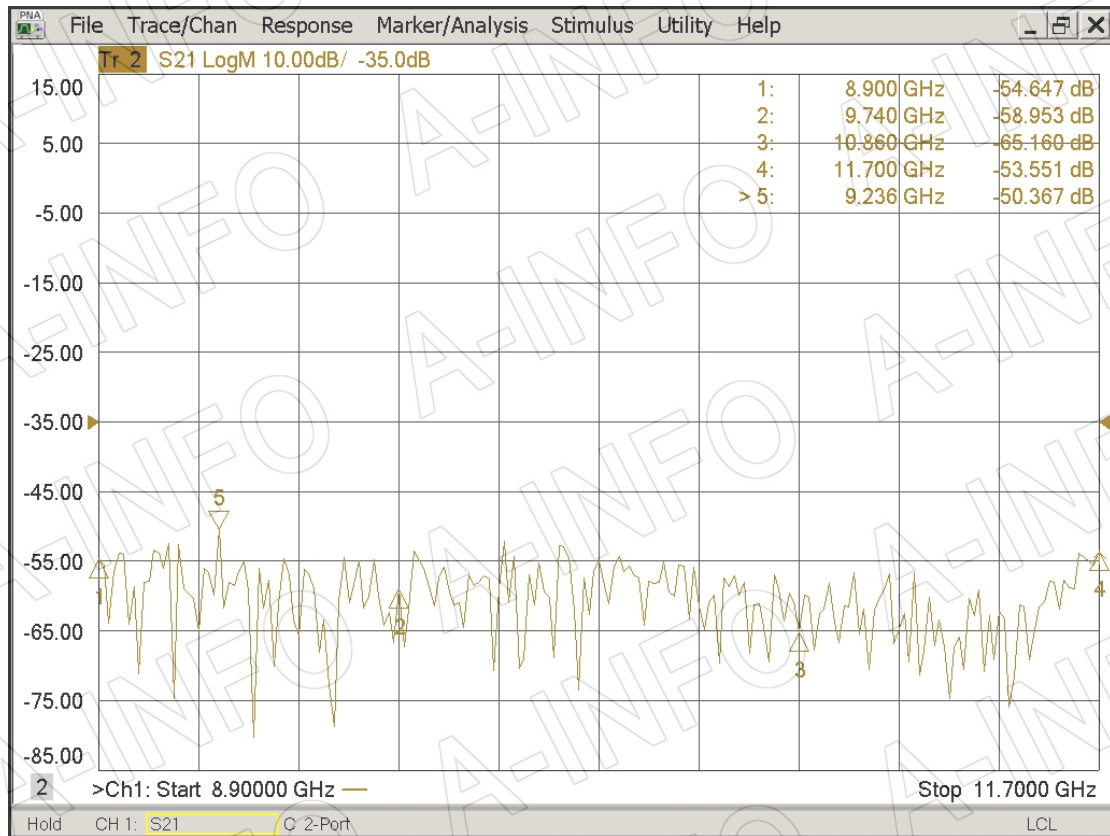
### 1. Gain & Antenna Factor



## 2. Cross Polarization Isolation

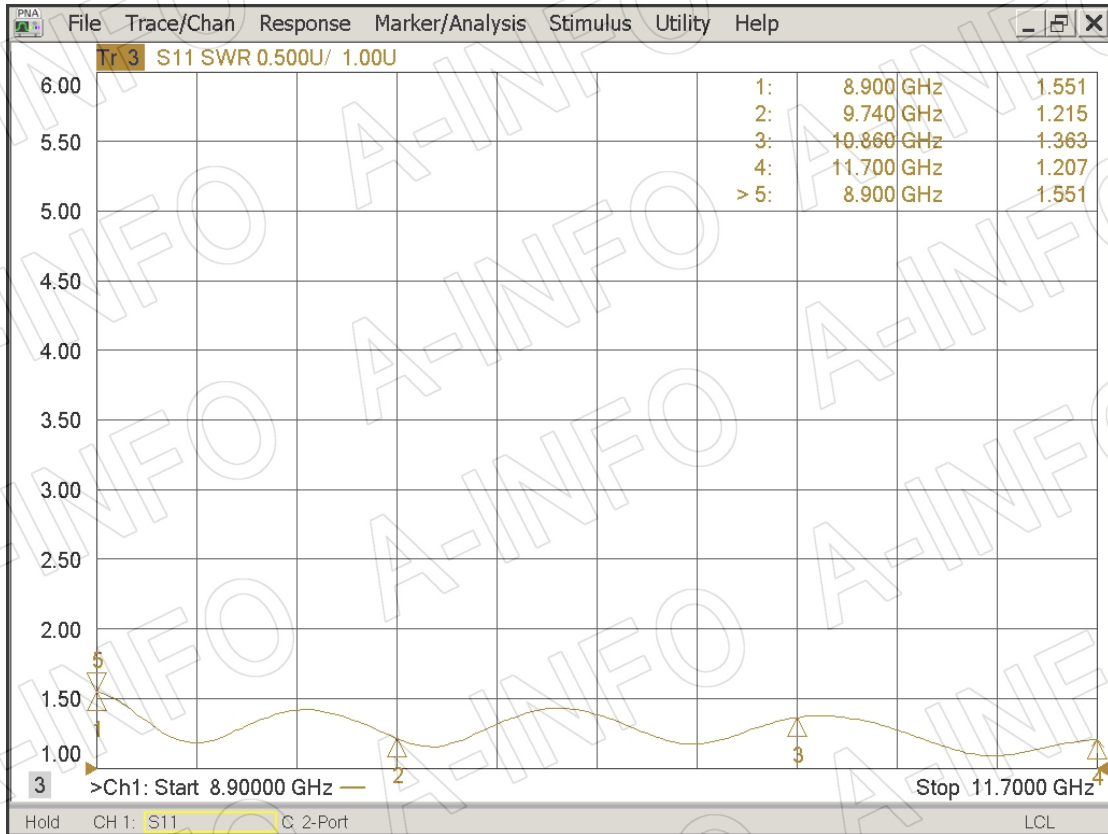


## 3. Port to Port Isolation

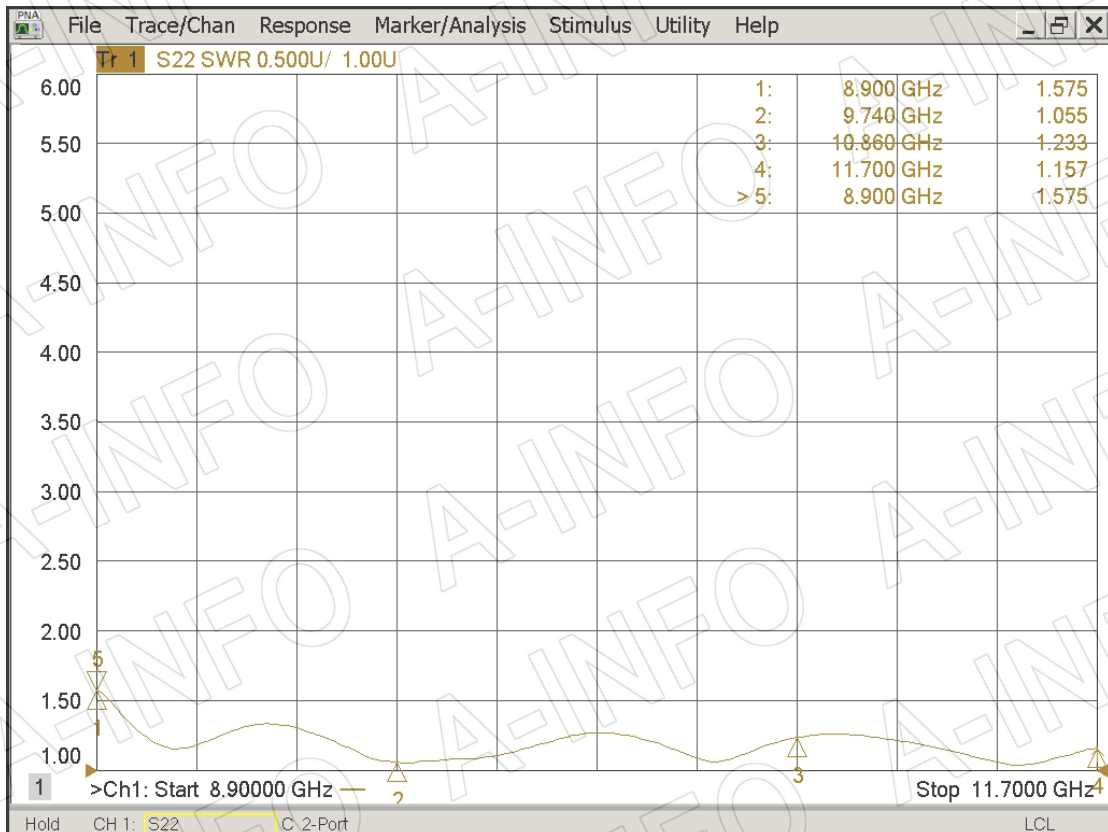


## 4. VSWR\_A Type

### Port-H

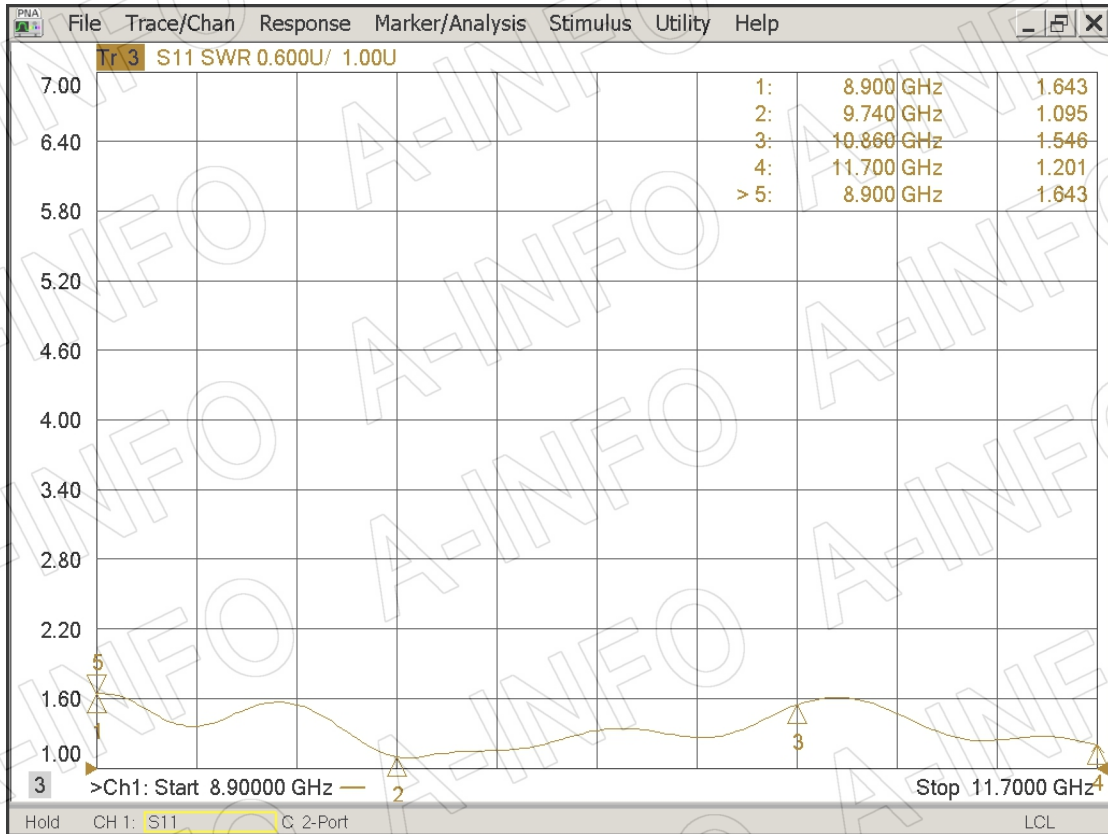


### Port-V

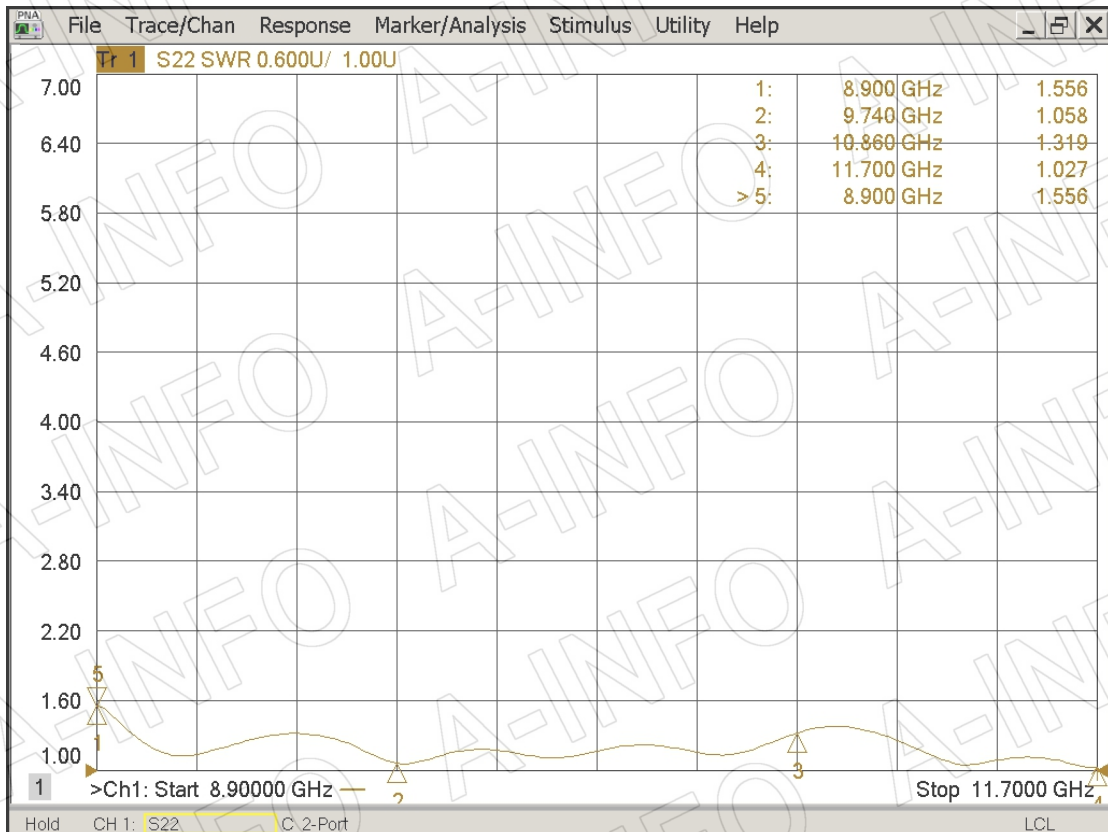


## VSWR\_C Type

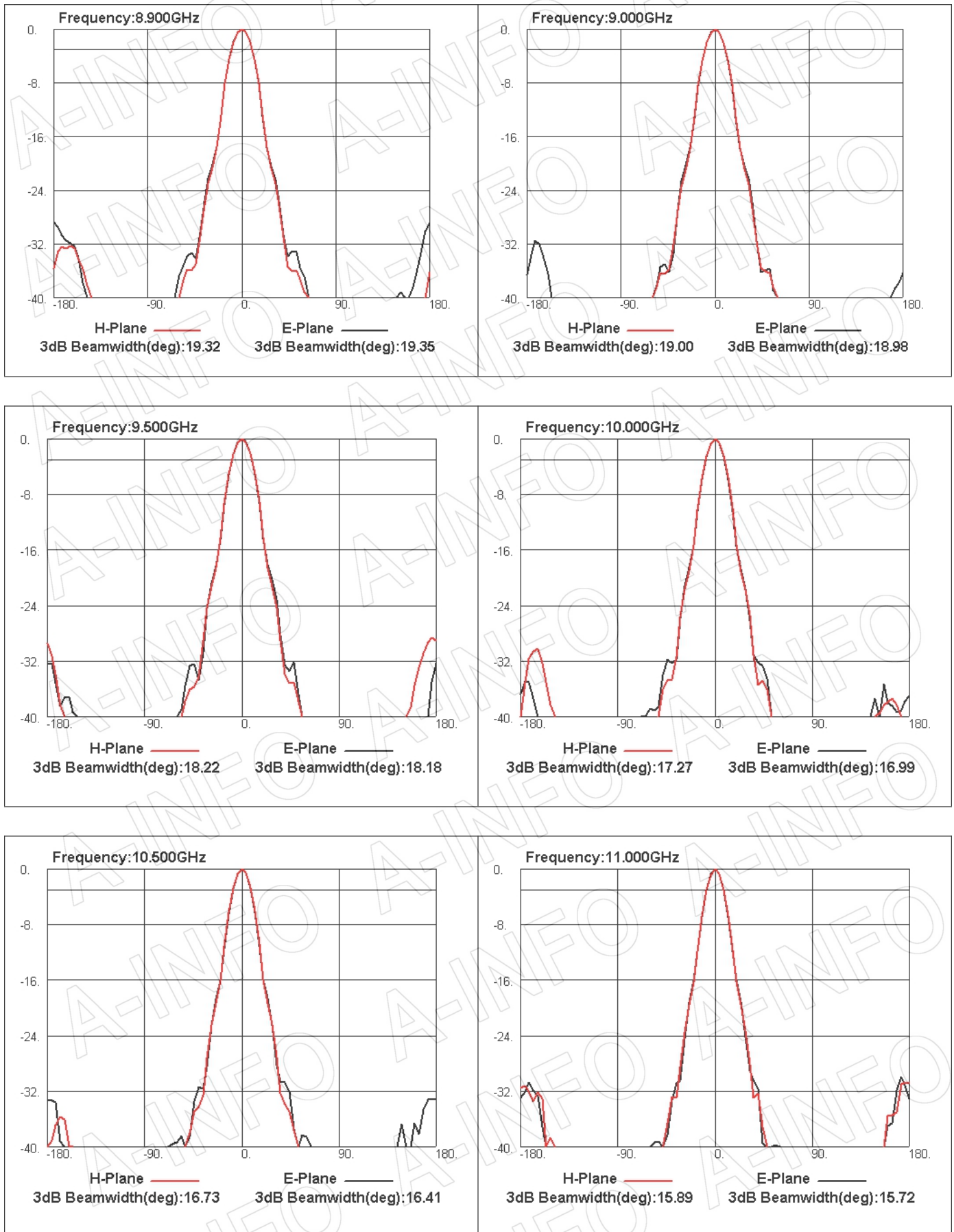
### Port-H



### Port-V



## 5. Pattern



**AINFO Inc.**

China(Beijing):  
China(Chengdu):  
USA :

Tel: (+86) 10-6266-7326,  
Tel: (+86) 28-8519-2786,  
Tel: (+1) 949-639-9688,

Page 8 of 9

(+86) 10-6266-7327  
(+86) 28-8519-3044  
(+1) 949-639-9608

Fax: (+86) 10-6266-7379  
Fax: (+86) 28-8519-3068  
Fax: (+1) 949-639-9670

Website: [www.ainfoinc.com](http://www.ainfoinc.com)  
Email: [sales@ainfoinc.com](mailto:sales@ainfoinc.com)



